

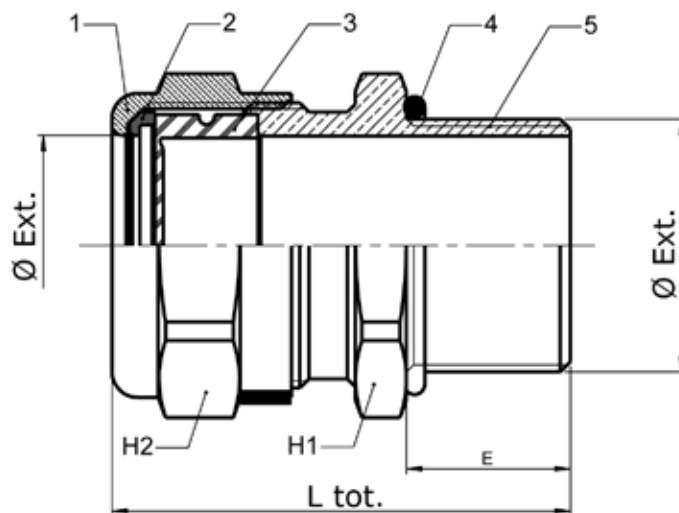
# CABLE GLAND EX D/E

For unarmoured cable.  
Sealing on the outer sheath of the cable.  
A clamping device shall be applied



Material : Brass nickel plated  
Type of protection : Ex d/e  
Conformity with standards : EN 60079-0, EN 60079-1,  
EN 60079-7, EN 61241-0, EN 61241-1,  
Device group : II C  
Categories : 2 et 3  
Atmospheres : G / D  
Zones : 1, 2, 21, 22  
Temperature : -25°C à 100°C .  
Protection grades : IP66, IP 68

Métr.	Thread		Outer sheath		H1 mm	H2 mm	E mm	total L mm	Weight kg
	Pas	N°	min	max					
M16	150	5	7	12	20	20	16	39	0,038
M20	150	5	7	12	24	20	16	39	0,050
M25	150	5	7	12	28	20	16	39	0,059



Landmark	Description	Material	Temperature
1	Pressing screw 4F-1F	Brass	
2	Anti-rotation ring	Polycarbonate	
3	External sealing	Neoprene 80 SH A	-40° / 100°
4	O-ring	Nitrile 70 H A	-25°/120°C
5	Lower part 1F	Brass	